



# PACKOUT™

MODULAR STORAGE SYSTEM

## ROLLING TOOL CHEST

48-22-8428



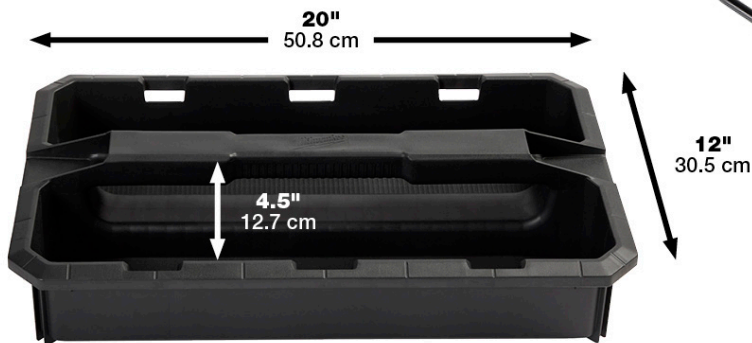
**DUAL  
STACK TOP**



**250 LBS  
CAPACITY**



**9" ALL-  
TERRAIN  
WHEELS**





# PACKOUT™

MODULAR STORAGE SYSTEM

## ROLLING TOOL BOX

48-22-8426



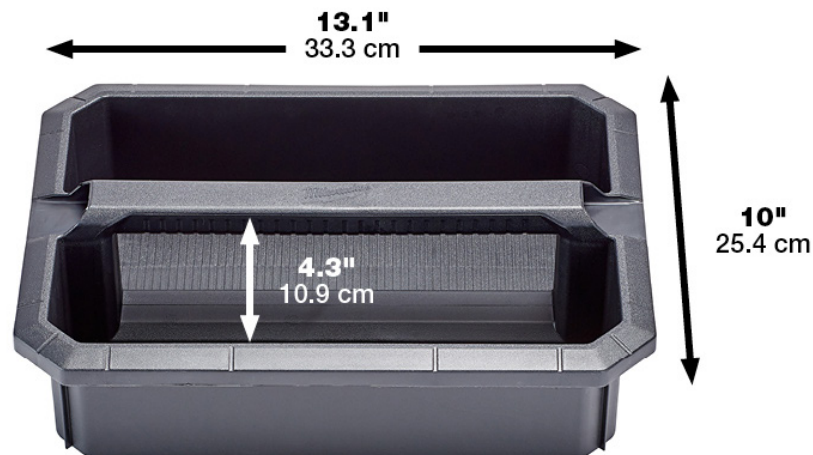
**250 LBS**  
CAPACITY



**IMPACT**  
RESISTANT  
BODY



**9" ALL-**  
**TERRAIN**  
WHEELS





# PACKOUT™

MODULAR STORAGE SYSTEM

## 2-WHEEL CART

48-22-8415



**STACK  
OR HANG**



**400 LBS  
CAPACITY**



**10"  
FLAT-FREE  
WHEELS**

**48"**  
121.9 cm



**48"**  
121.9 cm





# PACKOUT™

MODULAR STORAGE SYSTEM

## DOLLY

48-22-8410



**250 LBS**  
CAPACITY



**QUICKSTOP**  
LOADING LEVER



**SMOOTH**  
**ROLL**  
WHEELS







# PACKOUT™

MODULAR STORAGE SYSTEM

## XL TOOL BOX

48-22-8429



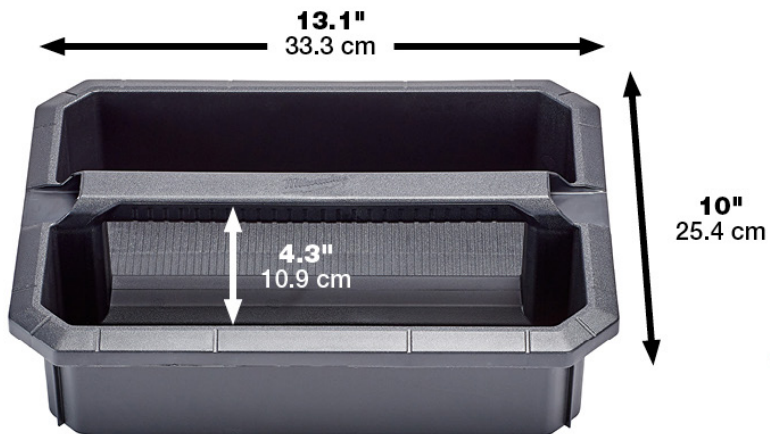
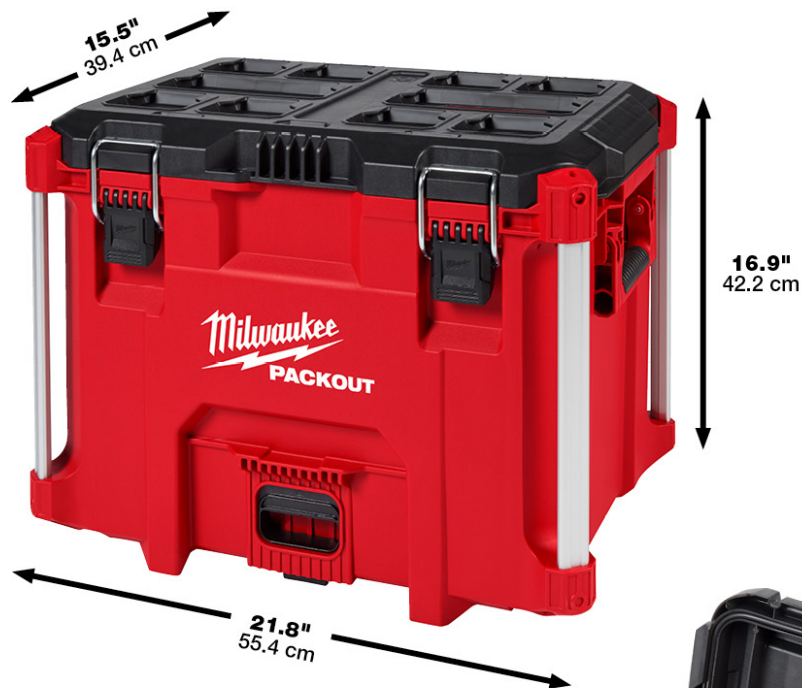
**100 LBS**  
CAPACITY



**IMPACT**  
RESISTANT  
BODY



**IP65**  
RATED  
PROTECTION





# PACKOUT™ MODULAR STORAGE SYSTEM

## LARGE TOOL BOX

48-22-8425



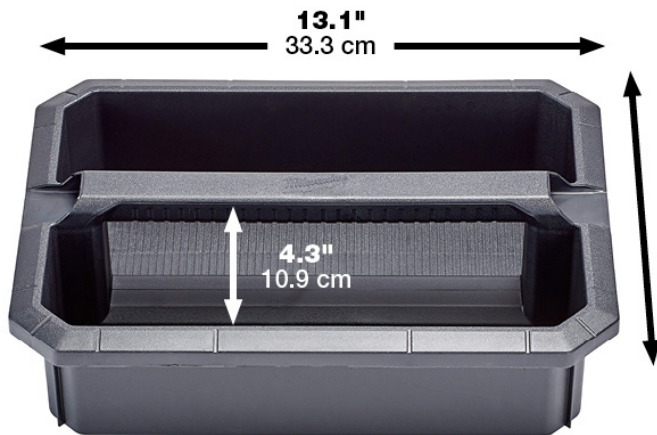
**100 LBS  
CAPACITY**



**IMPACT  
RESISTANT  
BODY**



**METAL-  
REINFORCED  
TOP HANDLE**





# PACKOUT™

MODULAR STORAGE SYSTEM

## TOOL BOX

48-22-8424



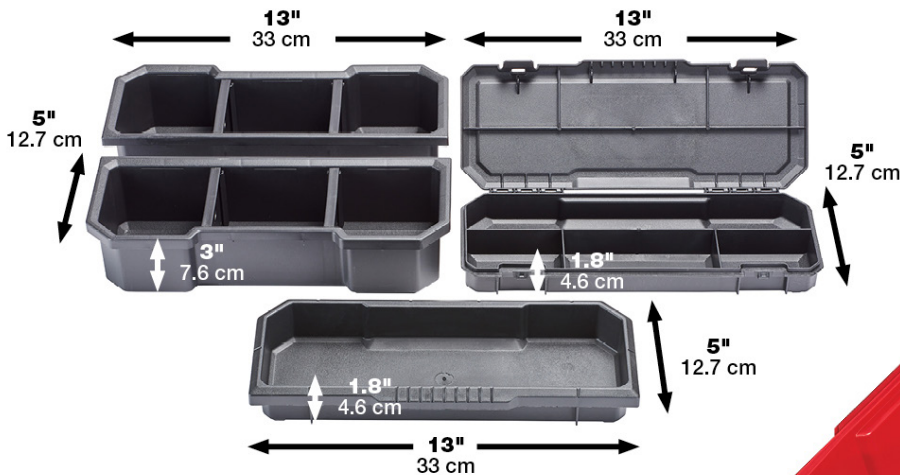
**75 LBS**  
CAPACITY



**IMPACT**  
RESISTANT  
BODY



**IP65**  
RATED  
PROTECTION







# PACKOUT™

MODULAR STORAGE SYSTEM

## TOOL CASE WITH CUSTOMIZABLE INSERT

48-22-8450



**IMPACT  
RESISTANT  
BODY**



**IP65  
RATED  
PROTECTION**



**CUSTOMIZE  
YOUR INSERT**







# PACKOUT™

MODULAR STORAGE SYSTEM

## COMPACT TOOL BOX

48-22-8422



**IMPACT  
RESISTANT  
BODY**



**IP65  
RATED  
PROTECTION**



**QUICK-  
ADJUST  
DIVIDERS**





# PACKOUT™

MODULAR STORAGE SYSTEM

## CRATE

48-22-8440



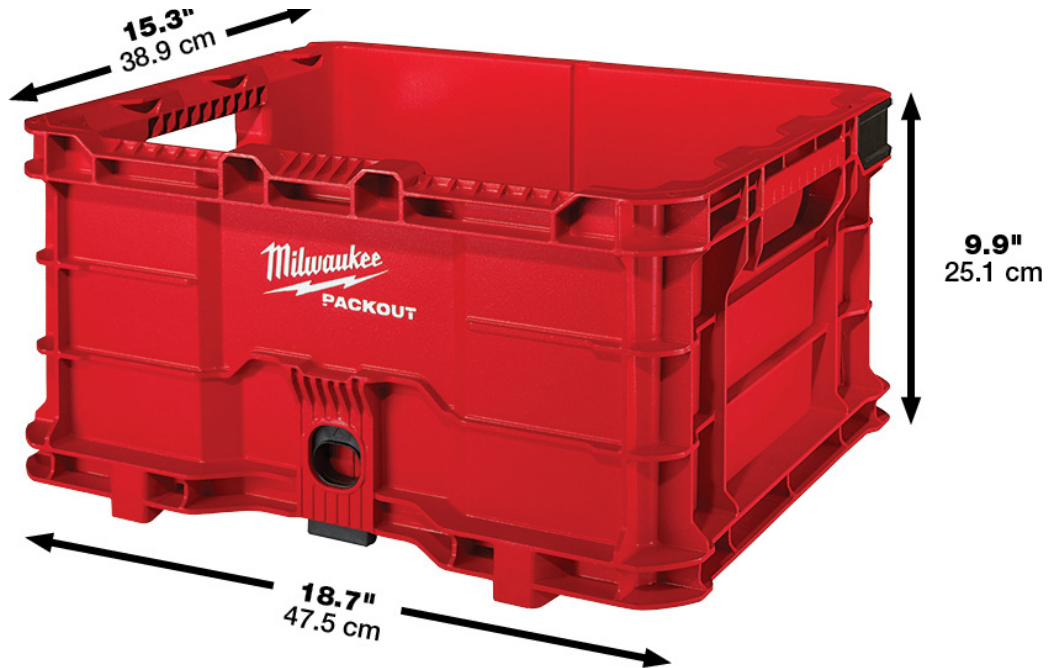
**STACK  
OR HANG**



**IMPACT  
RESISTANT  
BODY**



**50 LBS  
CAPACITY**





# PACKOUT™

MODULAR STORAGE SYSTEM

## 3-DRAWER TOOL BOX

48-22-8443



**50 LBS**  
CAPACITY



**LOCKING**  
SECURITY BAR



**IMPACT**  
RESISTANT  
BODY







# PACKOUT™

MODULAR STORAGE SYSTEM

## 2-DRAWER TOOL BOX

48-22-8442



**50 LBS**  
CAPACITY



**LOCKING**  
SECURITY BAR



**IMPACT**  
RESISTANT  
BODY







# PACKOUT™

MODULAR STORAGE SYSTEM

## DEEP ORGANIZER

48-22-8432



**50 LBS**  
CAPACITY



**IP65**  
RATED  
PROTECTION



**QUICK-  
ADJUST**  
DIVIDERS





# PACKOUT™

MODULAR STORAGE SYSTEM

## ORGANIZER

48-22-8430



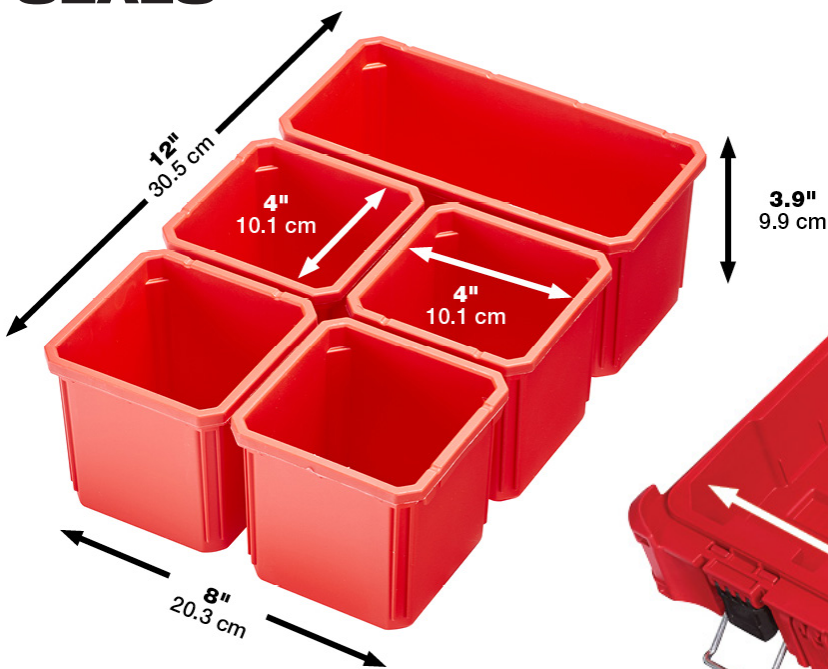
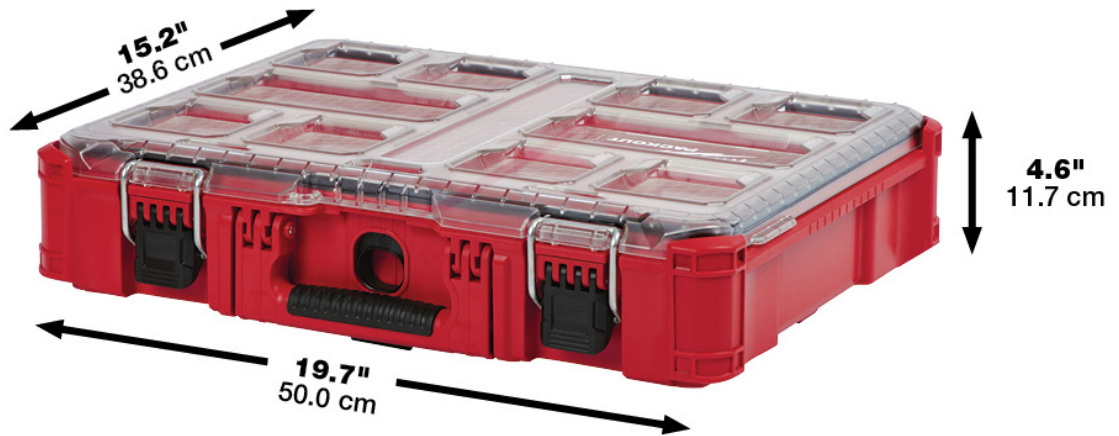
**IMPACT  
RESISTANT  
BODY**



**IP65  
RATED  
PROTECTION**



**NO-  
TRAVEL BIN  
SEALS**





# PACKOUT™

MODULAR STORAGE SYSTEM

## COMPACT ORGANIZER

48-22-8435



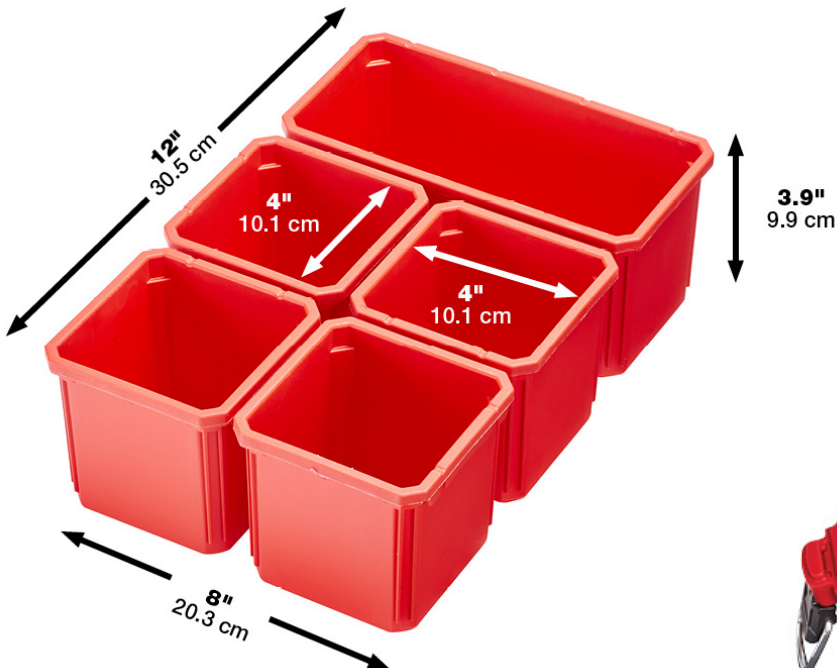
**IMPACT  
RESISTANT  
BODY**



**IP65  
RATED  
PROTECTION**



**NO-  
TRAVEL BIN  
SEALS**







# PACKOUT™

MODULAR STORAGE SYSTEM

## LOW-PROFILE ORGANIZER

48-22-8431



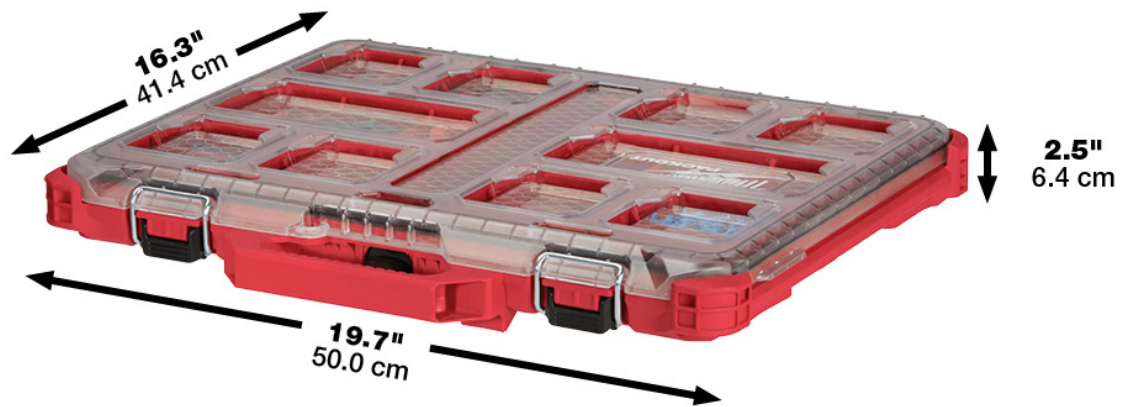
**IMPACT  
RESISTANT  
BODY**



**IP65  
RATED  
PROTECTION**



**NO-  
TRAVEL BIN  
SEALS**







# PACKOUT™ MODULAR STORAGE SYSTEM

## LOW-PROFILE COMPACT ORGANIZER

48-22-8436



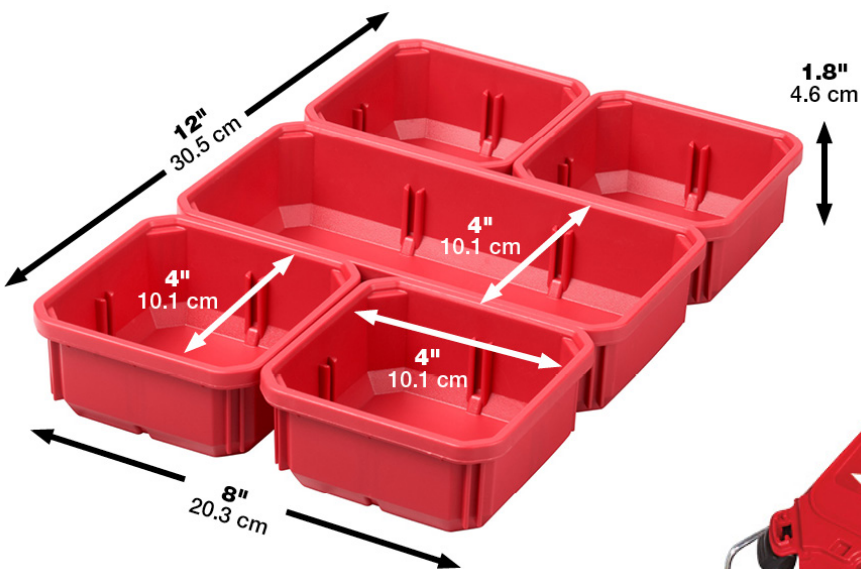
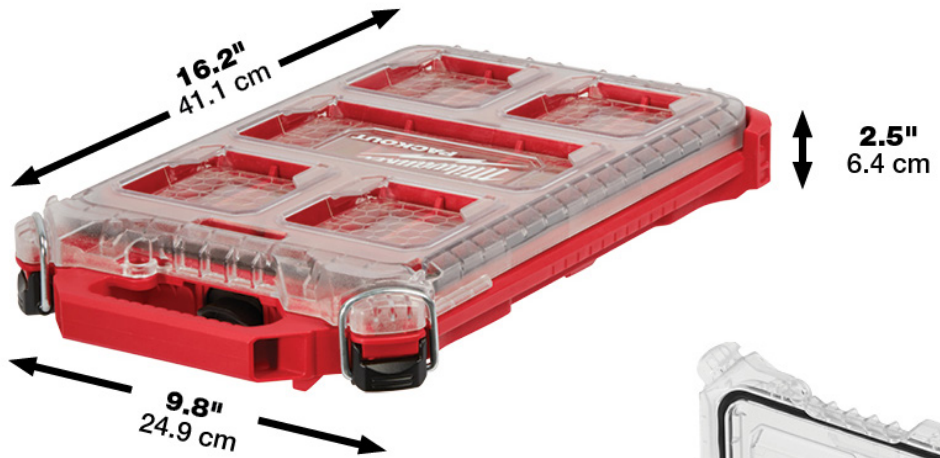
**IMPACT  
RESISTANT  
BODY**



**IP65  
RATED  
PROTECTION**



**NO-  
TRAVEL BIN  
SEALS**





# PACKOUT™

MODULAR STORAGE SYSTEM

## 10" TOTE

48-22-8310



**TEAR-RESISTANT MATERIAL**



**OPTIMIZED STORAGE CAPACITY**



**ALL-METAL HARDWARE**





# PACKOUT™

MODULAR STORAGE SYSTEM

## 15" TOTE

48-22-8315



**TEAR-RESISTANT MATERIAL**



**OPTIMIZED STORAGE CAPACITY**



**ALL-METAL HARDWARE**





# PACKOUT™

MODULAR STORAGE SYSTEM

## 20" TOTE

48-22-8320



**TEAR-RESISTANT MATERIAL**



**OPTIMIZED STORAGE CAPACITY**



**ALL-METAL HARDWARE**







# PACKOUT™

MODULAR STORAGE SYSTEM

## 15" TOOL BAG

48-22-8321



**TEAR-RESISTANT MATERIAL**



**IMPACT RESISTANT BASE**



**ALL-METAL HARDWARE**





# PACKOUT™

MODULAR STORAGE SYSTEM

## 20" TOOL BAG

48-22-8322



**TEAR-RESISTANT MATERIAL**



**IMPACT RESISTANT BASE**



**ALL-METAL HARDWARE**





# PACKOUT™

MODULAR STORAGE SYSTEM

## BACKPACK

48-22-8301



**TEAR-RESISTANT MATERIAL**



**IMPACT RESISTANT BASE**



**OPTIMIZED STORAGE CAPACITY**







# PACKOUT™

MODULAR STORAGE SYSTEM

## TECH BAG

48-22-8300



**TEAR-RESISTANT MATERIAL**



**IMPACT RESISTANT BASE**



**OPTIMIZED STORAGE CAPACITY**





# PACKOUT™

MODULAR STORAGE SYSTEM

## 16QT COMPACT COOLER

48-22-8460



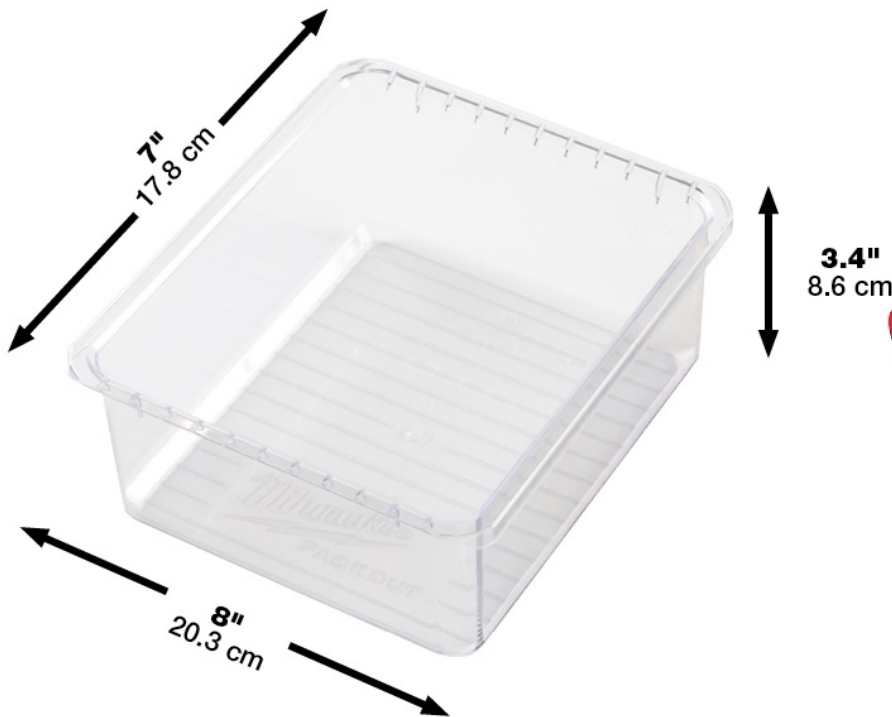
**HOLDS  
ICE FOR  
30 HRS**



**IMPACT  
RESISTANT  
BODY**



**IP65  
RATED  
PROTECTION**





# PACKOUT™

MODULAR STORAGE SYSTEM

## COOLER

48-22-8302



HOLDS  
ICE FOR  
**24** HRS



**IMPACT  
RESISTANT  
BODY**



**ALL-  
METAL  
HARDWARE**







# PACKOUT™

MODULAR STORAGE SYSTEM

## MOUNTING PLATE

48-22-8485



**WALL &  
FLOOR  
MOUNTING**



**50 LBS  
WALL MOUNTED  
CAPACITY**



**METAL-  
REINFORCED  
FRAME**





# PACKOUT™

MODULAR STORAGE SYSTEM

## RACKING KIT

48-22-8480



**VERSATILE MOUNTING**  
E-TRACK  
COMPATIBLE



**50 LBS**  
WALL MOUNTED  
CAPACITY



**METAL-  
REINFORCED**  
FRAME





# PACKOUT™

MODULAR STORAGE SYSTEM

## RACKING SHELF

48-22-8481



**VERSATILE MOUNTING**  
E-TRACK  
COMPATIBLE



**50 LBS**  
WALL MOUNTED  
CAPACITY



**METAL-REINFORCED FRAME**







# PACKOUT™

MODULAR STORAGE SYSTEM

## CUSTOMIZABLE WORK TOP

48-22-8488



**FASTENER-READY**  
MOUNTING SURFACE



**50 LBS**  
WALL MOUNTED  
CAPACITY



**IMPACT**  
RESISTANT  
BODY





# PACKOUT™ MODULAR STORAGE SYSTEM

## M18 RADIO + CHARGER

2950-20





# PACKOUT™ MODULAR STORAGE SYSTEM

## M18 FUEL 2.5 GAL WET/DRY VACUUM

0970-20







# PACKOUT™

MODULAR STORAGE SYSTEM

## **M18** LIGHT/CHARGER

2357-20

**TRUEVIEW™**  
HIGH DEFINITION OUTPUT

